

# VOLLEYBALL CATALOG

	PAGE(S)
Volleyball Surfaces .....	2
Court Layout .....	3
Court Curbing .....	4-5



**VOLLEYBALL SURFACES****BULK PER TON****PER 50 LB. BAG****WHITE BEACH SAND FOR VOLLEYBALL COURTS**

Washed, Screened Silica Sands.

TO GET APPROX  
PRICE/CU. YD.  
MULTIPLY BY 1.2

<b>White / Extra Fine</b> South Jersey Plant	\$30	—
<b>Extra White / Fine</b> South Jersey Plant	\$30	—
North Jersey Plant	\$47	\$5
<b>White / Medium</b> South Jersey Plant	\$29	—
North Jersey Plant	\$42	—
<b>White / Medium—Double Screened</b> North Jersey Plant	\$45	\$4.95
<b>White / Medium / Heat-Treated</b> North Jersey Plant	\$58	\$5.25
<b>White / Plus Fine</b> South Jersey Plant	\$33	—
<b>Dark / Extra Fine</b> South Jersey Plant	\$40	—
<b>Extra White / Super Fine</b> South Jersey Plant	\$55	—
<b>White / 18/50</b> South Jersey Plant	\$60	—
<b>White / 20/40</b> South Jersey Plant	\$65	—
<b>White / Heat Treated - 18/50</b> South Jersey Plant	\$75	—
<b>White / Heat Treated - 40/100**</b> South Jersey Plant	\$95	—
North Jersey Plant	—	\$6.15
<b>White / Heat Treated - 30/50**</b> South Jersey Plant	\$90	—
North Jersey Plant	—	\$5.95
<b>White / Heat Treated - 20/40**</b> South Jersey Plant	\$95	\$6.15

\*\*40/100, 30/50, 20/40 bags only available in full 3,000 lb. pallets. Also available in 100 lb. bags and 3,000 lb. bulk bags.

PALLET &amp; COVER CHARGE: \$6.50 PER PALLET



ALL PRICES SUBJECT TO CHANGE &amp; AVAILABILITY

**VOLLEYBALL COURT LAYOUT**

**NAME OF SPORTS ORGANIZATION**

United States Volleyball Association

**RECOMMENDED AREA**

Ground space is 4,000 square feet.

**SIZE AND DIMENSION**

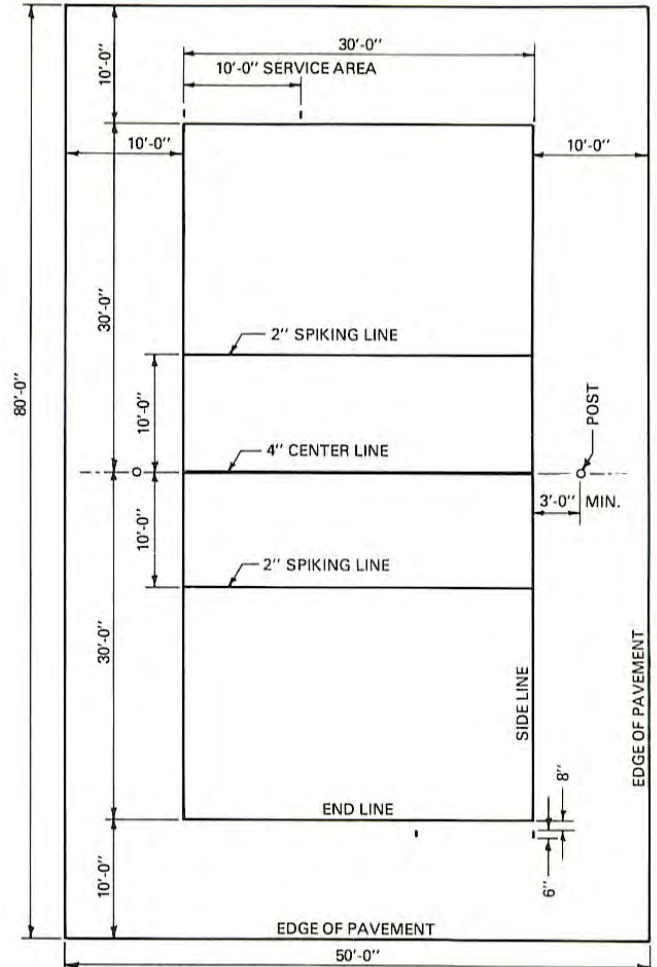
Playing court is 30' x 60' plus 6' minimum, 10' preferred, unobstructed space on all sides.

**ORIENTATION**

Preferred orientation is for the long axis to be north/south.

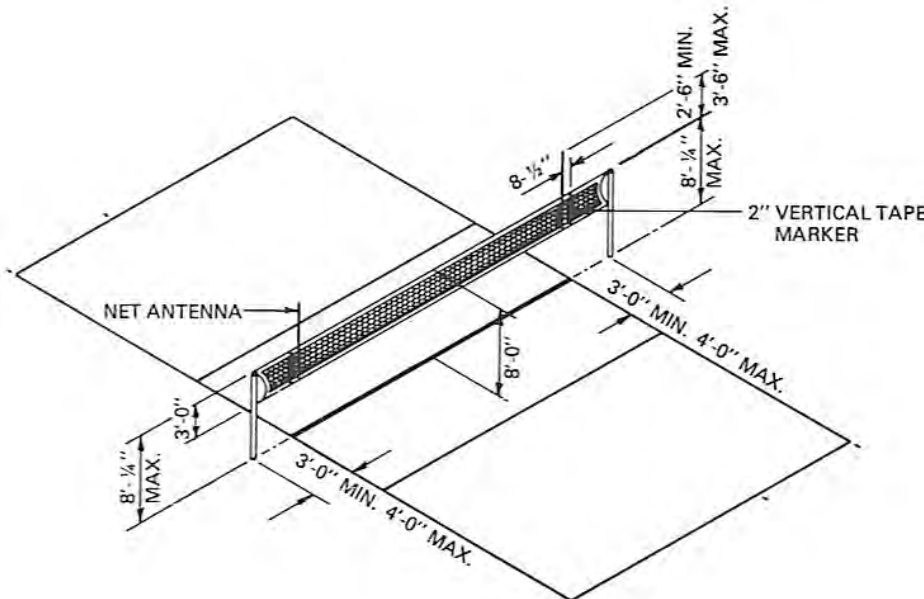
**SURFACE AND DRAINAGE**

Recommended surface for intensive use is to be bituminous material or concrete, but sand-clay or turf may be used for informal play. Drainage is to be end to end, side to side or corner to corner at a minimum slope of 1" in 10'.



COURT LAYOUT

VOLLEYBALL



**NOTES**

ALL MEASUREMENTS FOR COURT MARKINGS ARE TO THE OUTSIDE OF LINES EXCEPT FOR THE CENTER LINE.

ALL COURT MARKINGS TO BE 2" WIDE EXCEPT AS NOTED.

**NET HEIGHT AT CENTER**

- MEN 8'-0"
- WOMEN 7'-4-1/4"
- HIGH SCHOOL 7'-0"
- ELEMENTARY SCHOOL 6'-6"

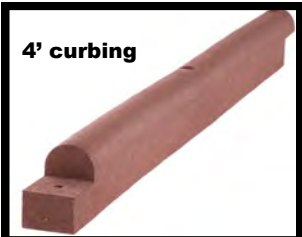
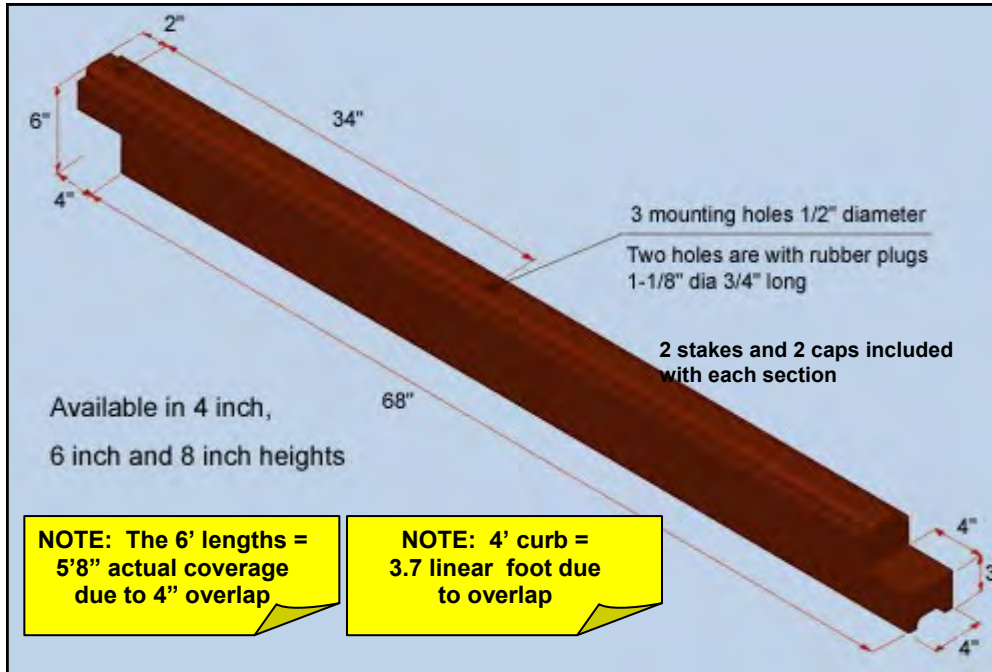
ALL PRICES SUBJECT TO CHANGE & AVAILABILITY

**VOLLEYBALL RUBBER CURBING**

**PER PIECE**

4" High x 3" Wide x 6' Long (30 lbs./piece, up to 100 pieces/pallet)	<b>\$30</b>
6" High x 4" Wide x 6' Long (45 lbs./piece, up to 63 pieces/pallet)	<b>\$55</b>
8" High x 4" Wide x 6' Long (70 lbs./piece, up to 45 pieces/pallet)	<b>\$72</b>
4" High x 3" Wide x 4' Long (14 lbs./piece, up to 140 pieces/pallet)	<b>\$20</b>

*Please note: The 6' lengths are grooved and can be stacked to create desired height. However, while the 4" H x 3" W is stackable, it is not stackable on 6"H x 4" W or 8"H x 4" W only stackable on its own 4"H x 3" W. The 4' lengths of curbing are **not** compatible with our 6 foot long curbs and are **not** grooved for stacking.*



- More resilient than wood
- No warping or discoloring
- No splinters
- Non toxic
- Will not rot
- Stackable
- Interlocking
- Available in 4 ft lengths and 4" or 6 ft lengths and 4", 6" and 8" heights
- No CCA or other harmful chemicals
- Easy to install with pre drilled holes
- Made from 100% recycled tires
- Flexible with rounded edges
- Will not breed ticks, termites or other insects
- Maintenance free
- Hardware & Caps included
- Neutral brown tone-compatible with any surface color

2 stakes and 2 caps are included with each curb

natural brown    bendable    stackable    interlocking    hardware included

ALL PRICES SUBJECT TO CHANGE & AVAILABILITY

## Rubber Curbing For Volleyball Courts

### Product Specifications

#### Product Description:

1. Material: compression molded composite of the 100% recycled rubber and polyurethane Prepolymer
2. Physical properties of the rubber composite:
  - a) Density 0.6 oz/cu in (ASTM C642)
  - b) Durometer Hardness 65A ± 7 (ASTM D2240)
  - c) Tensile Strength\* minimum 125 psi (ASTM D412)  
(\* main structural areas)
  - d) Compression deformation 10% at 70psi, 68°F (ASTM D575)
  - e) Brittleness at Low temperature: -40°F (ASTM D746)
  - f) Freeze and thaw when exposed (ASTM C672)  
to deicing chemicals no loss after 50 cycles
  - g) Coefficient of thermal expansion: 8 x10<sup>-5</sup> in/in/°F (ASTM C531)
  - h) Weathering 70 hours at 158°F (ASTM D573)
    - hardness retained 100% (± 5%)
    - compressive strength 100% (± 5%)
    - tensile strength 100% (± 5%)
    - elongation retained 100% (± 5%)
3. Available models:
  - a) 3"W x 4"H x 72"L with weight of 23 lbs.
  - b) 4"W x 6"H x 72"L with weight of 45 lbs.
  - c) 4"W x 8"H x 72"L with weight of 70 lbs.
  - c) 3"W x 4"H x 48"L with weight of 14 lbs.
4. Finishing color: dark brown

#### Installation methods:

- a) with 2 spikes 18" long x 3/8" diameter provided for each 4" high piece
- b) with 2 spikes 24" long x 3/8" diameter provided for each 6" high or 8" high piece

Note: The mounting holes can be closed after installation with the rubber plugs 1-1/8 diameter and 3/4" long, supplied with the product.

#### Components:

- a) 100% recycled rubber from car and truck tires (NR, SBR)
- b) polyurethane prepolymer for rubber granules
- c) brown pigment

*ALL PRICES SUBJECT TO CHANGE & AVAILABILITY*