

**BEAM CLAY®**

Rogers® Break Away Bases®

Even when he's out, he's safe.

Safety. Performance. Durability.

**ROGERS®**  
Break Away Base® System

*ALL PRICES SUBJECT TO CHANGE & AVAILABILITY PLUS SHIPPING*

**PARTAC PEAT CORPORATION**  
ONE KELSEY PARK, GREAT MEADOWS, NEW JERSEY 07838

800-247-BEAM (2326) • (908) 637-4191 • FAX (908) 637-8421  
www.beamclay.com • sales@partac.com

# BEAM CLAY®

Rogers® Break Away Bases®



## SAFETY

Thirty-five years of clinical research, testing and development on **Rogers® Break Away Base® System** has produced a superior base that disengages upon impact caused by improper sliding technique. And while others bill themselves as the safest on the market, the **American Journal of Sports Medicine** said our product – and only ours – "...should be mandated."



## VALUE

The **Center for Disease Control and Prevention** determined that if the nation's baseball and softball fields required the use of breakaway bases, approximately 1.7 million injuries per year would be prevented – saving about \$2 billion in related health care costs. These facts not lost on **Little League Baseball**, Rule 1.06 requires that all their fields be outfitted with disengage-able bases for commencement of the 2008 season.



## PERFORMANCE

The unique design and structure of our base system, comprised of a base top, base plate, and an anchor housing, produces superior performance. Pliable rubber grommets molded to the base plate provide for a snug and secure connection to the base top, which will NOT disengage during ordinary play – only with the force created by improper slides. And unlike the competition, our system's superior design never creates a secondary hazard upon release.



## DURABILITY

The best materials make the best product. **Rogers® Break Away Base® System** uses only the highest quality materials for its superbly engineered components. Installation is simple, and its toughness and durability will endure inning after inning, for seasons to come.

So whether you're in the business of selling sporting goods equipment, a youth league administrator in charge of ensuring field safety, or a Major League Owner interested in protecting your investment, go with **Rogers®**, and take the breaks away from the game.

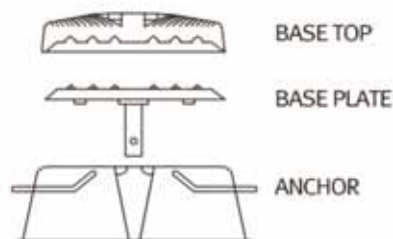


ALL PRICES SUBJECT TO CHANGE & AVAILABILITY PLUS SHIPPING

## Rogers® Break Away Base® System

The safest, highest performing, most durable disengagable base on the market. Sets the standard that others have attempted to follow.

- The base system is unique in its design and consists of three components:
  - **Anchor System** – The anchor ensures that the system will not shift after installation and ensures that the position of the base plate is at the grade of the field and does not create a secondary hazard.
  - **Base Plate** – Durable rubber grommets are positioned on a rubber coated steel plate and allow for a controlled deformation and release of the base top when necessary.
  - **Base Top** - The construction of the base top allows for varying degrees of firmness to match the level of competition.
- There are no magnets or stationary above ground components that can malfunction or cause safety issues.
- High quality, natural rubber construction provides years of use.
- Multiple base tops provide superior performance at all levels of play and environmental conditions.
- The only base clinically proven to reduce injuries. The documentation is available on numerous studies and clinical trials that you can share with your customers regarding the performance and effectiveness of this product
- Product Endorsements / Sponsorships include:
  - Little League® International
    - Used at Little League® World Series and all Williamsport complex fields
    - Used at all Little League® US Regional qualifying tournaments
    - Used at Little League® Asia-Pacific Tournament in Hong Kong
    - Used at Little League® EMEA Tournament in Kutno, Poland
  - PONY™ League Baseball and Softball
    - Official Safety Base provider
    - Used at PONY Division World Series
  - Ripken Youth Baseball
    - Exclusive Safety Base provider
  - Dixie Baseball / Softball
    - Official Safety Base provider
  - International Softball Federation
    - Used at the Atlanta and Sydney Olympic Softball venues.



ALL PRICES SUBJECT TO CHANGE & AVAILABILITY PLUS SHIPPING

**ROGERS® BREAK AWAY BASES®**

America's Safest Base! Strategically placed flexible rubber nipples control the appropriate release of the base top from the plate and allow for varying degrees of firmness to match the level of competition.

**COMPLETE BASE SYSTEMS** 2 Cartons

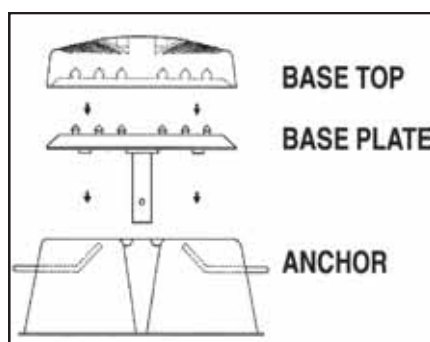
<b>RBBS-Y</b>	* Complete Base System - Youth (Male up to 12 yrs./Female up to 16 yrs.)	\$435
<b>RBBS-T</b>	* Complete Base System - Teen (Male 12 - 16 yrs./Female 16 - 21 yrs.)	\$435
<b>RBBS-A</b>	* Complete Base System - Adult (Male 16 yrs. & up/Female 21 yrs. & up)	\$435
<b>RBBS-P</b>	* Complete Base System - Pro (Advanced or Professional Players Only)	\$435

***Special Discounts for 5 or More Sets.***

- \* Each complete base system includes:  
3 Base Tops, 3 Base Plates, 3 Anchor Systems (which include) 3 Plastic Anchor Housings, 3 Steel Anchor Sleeves, 3 "Rubber Anchor Plugs", 6 Anchor Housing Handles, 1 "Dig-Out Tool", 1 "Product Information Manual" containing installation instructions, 2 "Facility Fact Sheets" and a Warranty Card.

**REPLACEMENT COMPONENTS** 1 Carton

<b>HB-1Y3</b>	3 Base Tops - Youth	\$199
<b>HB-1T3</b>	3 Base Tops - Teen	\$199
<b>HB-1A3</b>	3 Base Tops - Adult	\$199
<b>HB-1P3</b>	3 Base Tops - Pro	\$199
<b>HB-23</b>	3 Base Plates (fits all base tops)	\$215
<b>HB-33</b>	3 Anchor Systems (for all models)	\$145
<b>HBX-14</b>	Quick Change Anchor Covers (Set of 3)	\$65



- \* Individual Anchor System Includes: 1 Housing, 1 Steel Anchor Sleeve, 2 Anchor Handles, 1 Rubber Anchor Plug, and a Warranty Card.

**ROGERS® BREAK AWAY BASE® DOUBLE FIRST BASE**

<b>HB-DBL-KIT</b>	Break Away® First Base - Orange base top w/ 1 base plate	\$145
<b>HB-DBLSTEP-OR</b>	Step Away™ Low Profile First Base - Orange - "Add-On" - no ground anchor required	\$145
<b>HB-DBLSTEP-1F</b>	Step Away™ Double First—Orange—Full Size - no ground anchor required	\$145

**ROGERS® BREAK AWAY BASE® HOME PLATES**

<b>RHP-1</b>	One Time™ Home Plate	\$120
<b>RHP-BA</b>	Bury-All Style W/Anti-Skid White Surface	\$105
<b>RHP-1T-SM</b>	Replacement Top (Smooth)	\$43
<b>RHP-1T-SG</b>	Replacement Top (Small Groove)	\$43
<b>RHP-1T-LG</b>	Replacement Top (Large Groove)	\$43
<b>RHP-PS</b>	Pro Style Removable Home Plate	\$93

**ROGERS® PITCHER'S PLATES**

<b>RSPP-4A</b>	Pro-Style - 4 Sided Rubber (6" X 6" X 24")	\$105
<b>RSPP-4Y</b>	Youth Pro-Style - 4 Sided Rubber (4" x 4" x 18")	\$65

**WARNING: SLIDING INTO A BASEBALL BASE PRESENTS A CLEAR AND PRESENT DANGER. ANY SLIDE MAY CAUSE INJURY.**

ALL PRICES SUBJECT TO CHANGE & AVAILABILITY PLUS SHIPPING

Model	Recommended Usage Table
Youth	MALE up to 12 years - FEMALE up to 16 years
Teen	MALE 12 to 16 years - FEMALE 16 to 21 years
Adult	MALE 16 years & up - FEMALE 21 years & up
Pro	ADVANCE OR PROFESSIONAL PLAYERS ONLY

SKU	Description
RBBS- Y	Breakaway® Base Set - YOUTH
RBBS- T	Breakaway® Base Set - TEEN
RBBS- A	Breakaway® Base Set - ADULT
RBBS- P	Breakaway® Base Set - PRO

**System Components**

SKU	Description
HB-1Y3	Base Top Set - YOUTH
HB-1T3	Base Top Set - TEEN
HB-1A3	Base Top Set - ADULT
HB-1P3	Base Top Set - PRO
HB-23	Base Plate Set
HB-33	Anchor Housing Set



**HB-1x3 - Base Top Set**



**HB-23 Base Plate Set**



**HB-33 Anchor Housing Set**

HB-33 Anchor Housing Set includes:  
 (3) Anchor Housings  
 (3) Steel Sleeves  
 (3) Anchor Plugs  
 (6) Handles  
 (1) Digout™ Tool

**HBX-14**  
 Rogers Quick Change Anchor Covers



**ALL PRICES SUBJECT TO CHANGE & AVAILABILITY PLUS SHIPPING**

## Rogers® Break Away Base® Double First Systems

### 1. Rogers® Break Away® Double First Base

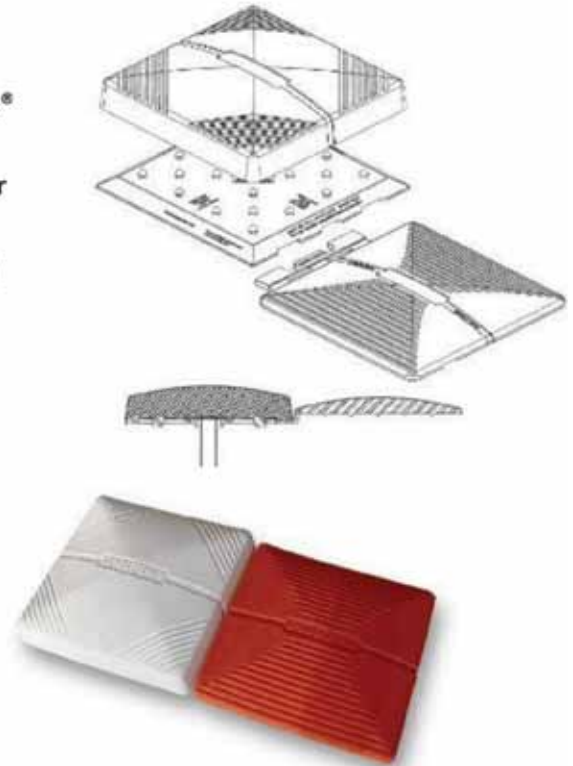
- System consists of
  - Standard Break Away Base® adult top – orange color (HB-DBL-OR),
  - Standard base plate (HB-2), and steel sleeve for mounting double first in foul territory.



### 2. Rogers® Step Away™ Low Profile Double First Base

The Rogers® Step Away™ Double First Base is the only double first designed to work specifically with disengagable bases.

- Available in high visibility orange and green colors
- Same high quality natural rubber construction as Rogers® Break Away® systems
- Low profile design that allows Break Away® Base to clear double first when releasing
- System includes one (1) modified base plate and one (1) double first base. Standard Break Away Base® top not included.



#### Double First SKU

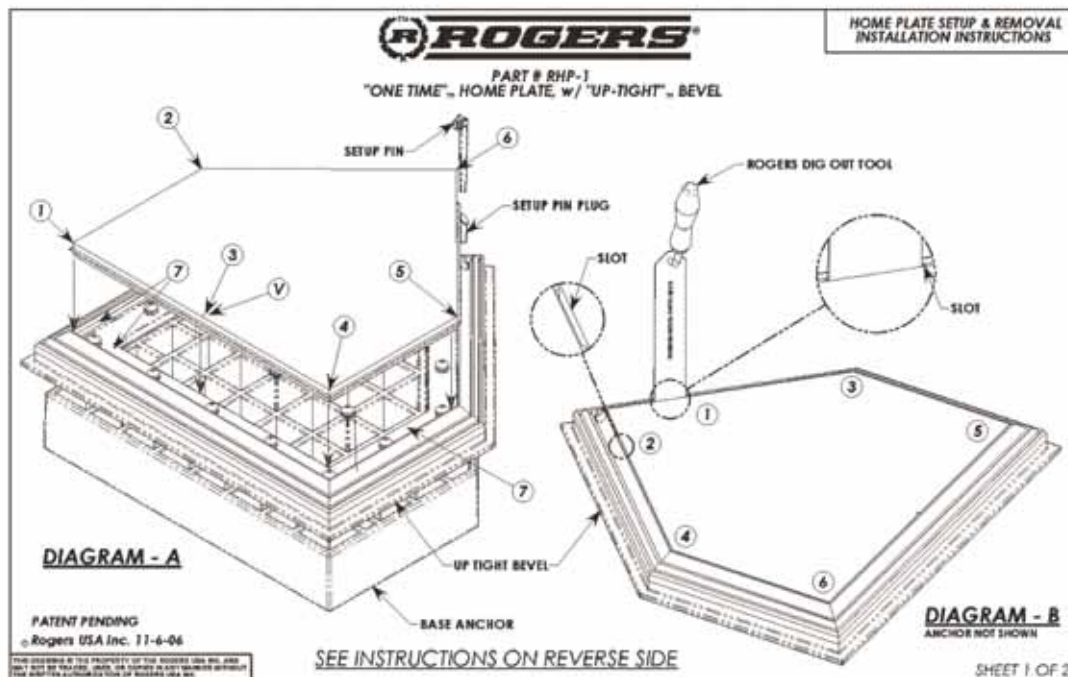
SKU	Description
HB-DBL-KIT-OR	Break Away® First Base - Orange base top w/ 1 base plate
HB-DBLSTEP-OR	Step Away™ Low Profile First Base - ORANGE

ALL PRICES SUBJECT TO CHANGE & AVAILABILITY PLUS SHIPPING

**RHP-1 Rogers® One Time™ Home Plate**

The Rogers® One Time™ Home Plate is a modular component home plate system that enhances safety at the plate and provides improved field maintenance features.

- Modular design allows for easy replacement in the field
- Integrated marks and pins facilitate quick installation
- Patented grooves on interchangeable plates provide non-slip surface



ALL PRICES SUBJECT TO CHANGE & AVAILABILITY PLUS SHIPPING



### Breakaway Base Rule Goes Into Effect Soon

**WILLIAMSPORT, Pa. (Oct. 3, 2006) – Local Little Leagues have until the 2008 season to install breakaway bases for all levels of play, if they have not already done so.**

**So now is the best time to get this important project done!**

**The new rule appeared in the 2006 baseball and softball rule books of Little League:**

**Rule 1.06: Beginning with the 2008 season, it will become mandatory that all leagues utilize bases that disengage their anchor. Leagues are encouraged to begin the process of implementing these types of base systems during the current season on all their fields so that the process is completed by the 2008 season.**

**ROGERS® BREAK AWAY BASES® are Little League Approved**

*ALL PRICES SUBJECT TO CHANGE & AVAILABILITY PLUS SHIPPING*