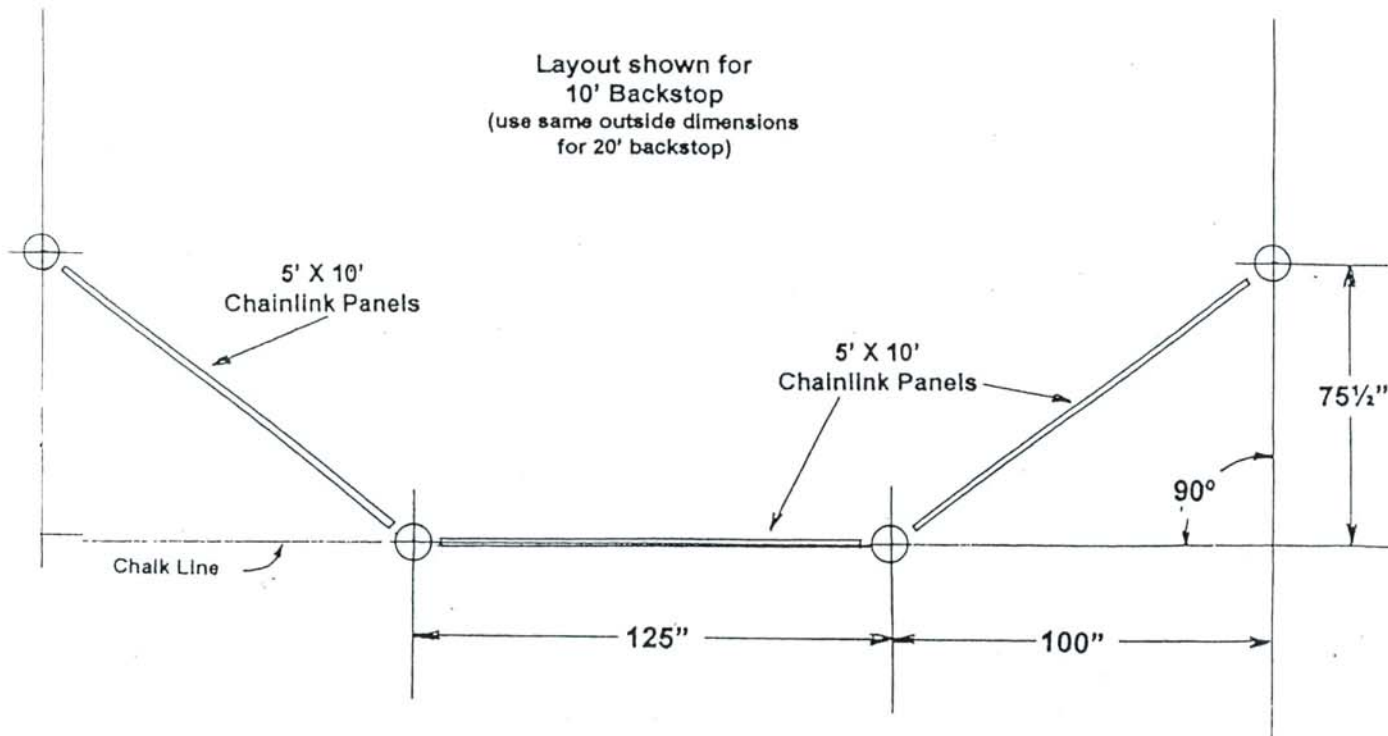


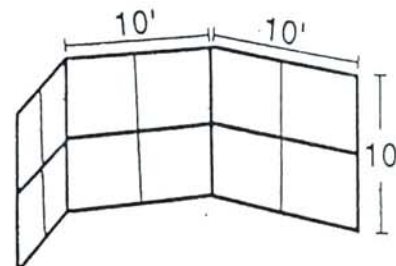
INSTALLATION INSTRUCTIONS FOR CHAIN LINK BACKSTOPS



1. Find position on field where Backstop is to be placed.
2. Layout a Chalk Line as shown in diagram.
3. Layout holes for back uprights, 125" apart as shown.
4. From outside pole, mark chalk line at 100" as shown.
5. Now lay a chalking 90° from the base line, and mark this line at 75½" from base line. This is the location for the outside pole.
6. Now dig holes approximately 12" dia. and 24" deep.

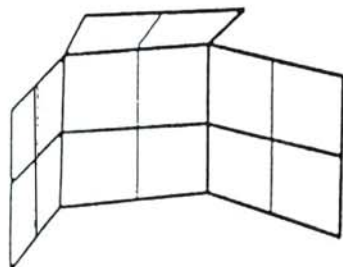
YOUR "ONE-STOP SOURCE" FOR AMERICA'S BASEBALL & SPORTS TURF SURFACES & SUPPLIES!

CHAIN LINK BACKSTOPS HARDWARE, 10 FOOT MODELS



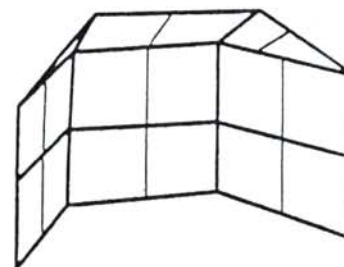
BSCL10

Straight Post	4 ea.
Post Caps	4 ea.
2-3/8" Brace Bands	36 ea.
1-3/8" Brace Bands	36 ea.
5/16" X 1-1/4" Carriage Bolt	36 ea.
Kennel Clamps	12 ea.
3/8" X 2-1/4" Carriage Bolt	12 ea.
5' X 10' Chain Link Panel	6 ea.



BSCL10H

Straight Post	2 ea.
Bent Post	2 ea.
Post Caps	4 ea.
2-3/8" Brace Bands	42 ea.
1-3/8" Brace Bands	42 ea.
5/16" X 1-1/4" Carriage Bolt	42 ea.
Kennel Clamp	16 ea.
3/8" X 2-1/4" Carriage Bolt	16 ea.
5' X 10' Chain Link Panel	7 ea.

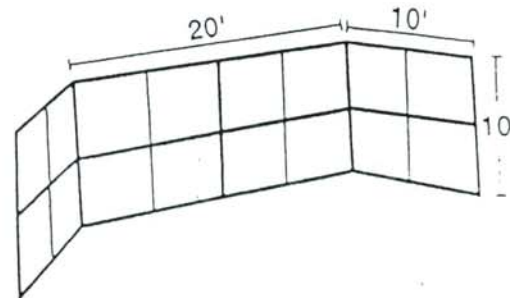


BSCL10HW

X5080-0021	Straight Post	2 ea.
X5080-0020	Bent Post	2 ea.
ZBSC110HWH	Post Caps	4 ea.
	2-3/8" Brace Bands	48 ea.
	1-3/8" Brace Bands	48 ea.
	5/16" X 1-1/4" Carriage Bolt	48 ea.
	Kennel Clamp	24 ea.
	3/8" X 2-1/4" Carriage Bolt	24 ea.
ZFEN5X10	5' X 10' Chain Link Panel	7 ea.
ZFENRTAN	Angle Panel, Right	1 ea.
ZFENLFAN	Angle Panel, Left	1 ea.

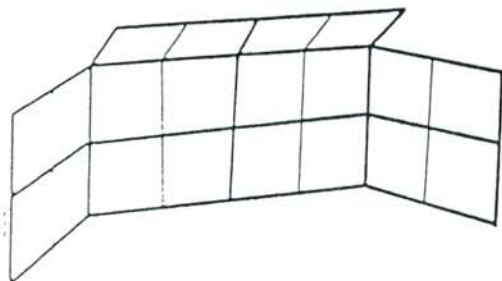
YOUR "ONE-STOP SOURCE" FOR AMERICA'S BASEBALL & SPORTS TURF SURFACES & SUPPLIES!

CHAIN LINK BACKSTOPS HARDWARE, 20 FOOT MODELS



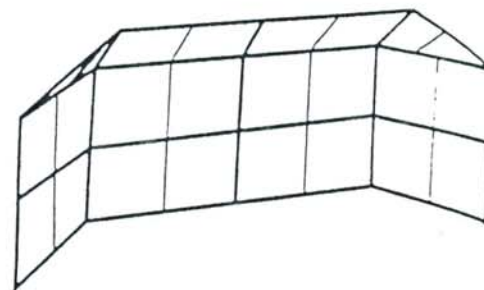
BSCL20

Straight Post	5 ea.
Post Caps	5 ea.
2-3/8" Brace Bands	48 ea.
1-3/8" Brace Bands	48 ea.
5/16" X 1-1/4" Carriage Bolt	48 ea.
Kennel Clamp	16 ea.
3/8" X 2-1/4" Carriage Bolt	16 ea.
5' X 10' Chain Link Panel	8 ea.



BSCL20H

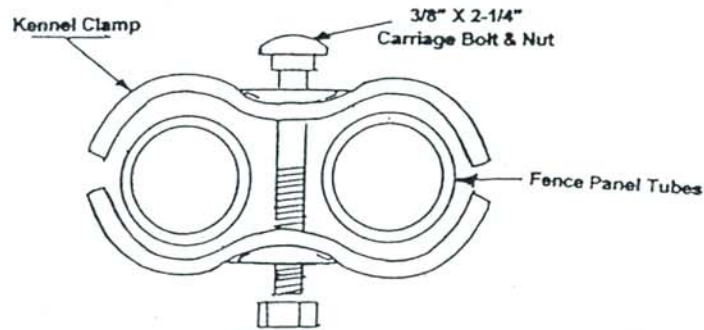
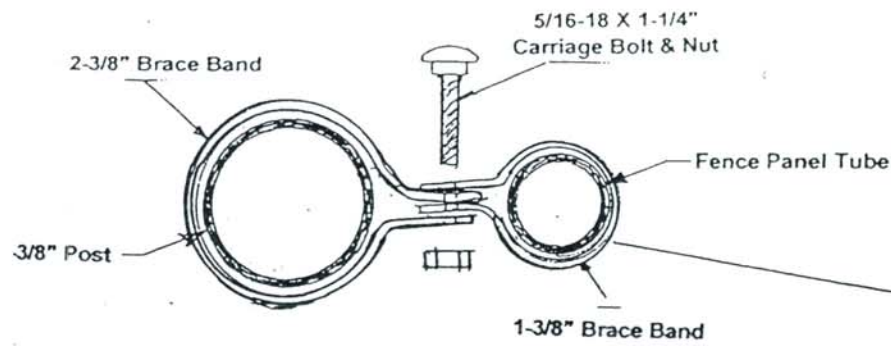
Straight Post	2 ea.
Bent Post	3 ea.
Post Caps	5 ea.
2-3/8" Brace Band	60 ea.
1-3/8" Brace Band	60 ea.
5/16" X 1-1/4" Carriage Bolt	60 ea.
Kennel Clamp	24 ea.
3/8" X 2-1/4" Carriage Bolt	24 ea.
5' X 10' Chain Link Panel	10 ea.



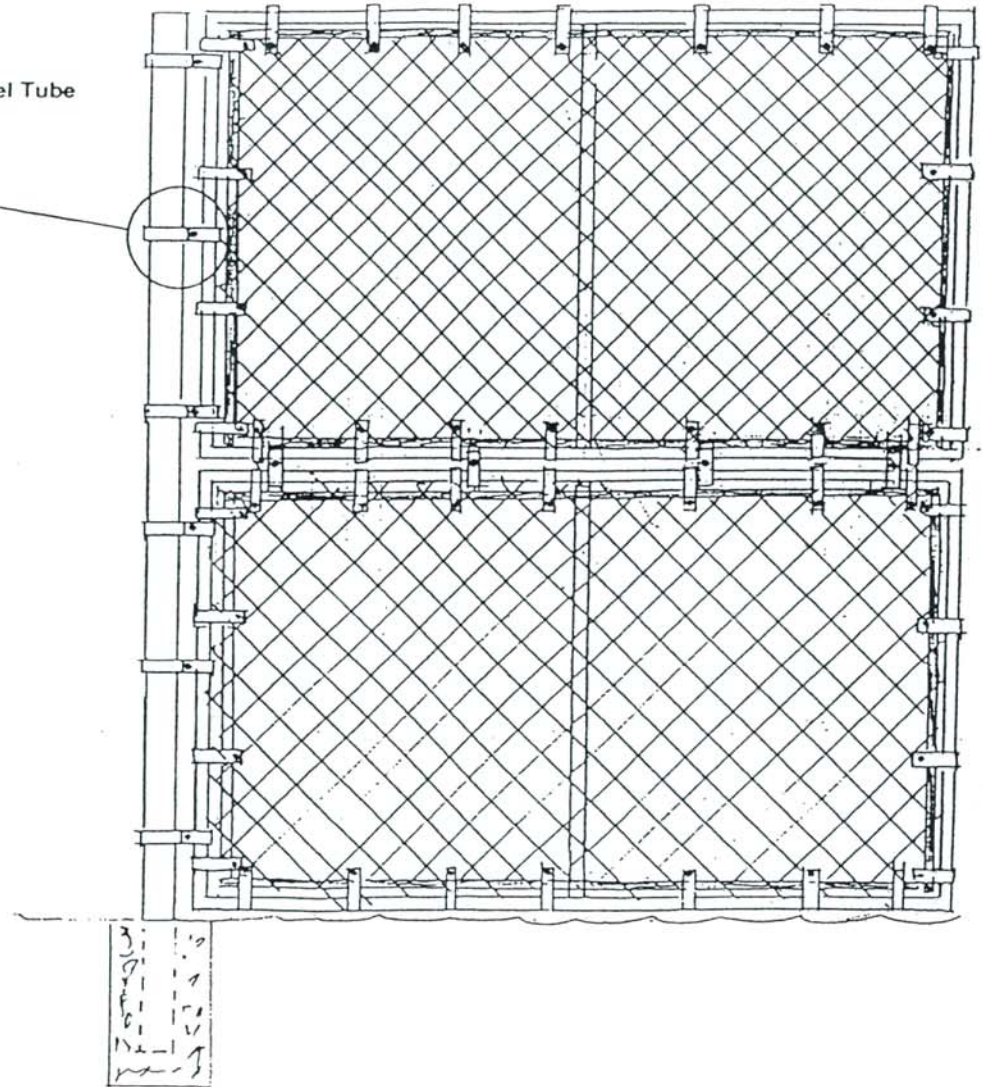
BSCL20HW

Straight Post	2 ea.
Bent Post	3 ea.
Post Caps	5 ea.
2-3/8" Brace Bands	66 ea.
1-3/8" Brace Bands	66 ea.
5/16" X 1-1/4" Carriage Bolt	66 ea.
Kennel Clamp	32 ea.
3/8" X 2-1/4" Carriage Bolt	32 ea.
5' X 10' Chain Link Panel	10 ea.
Angle Panel, Right	1 ea.
Angle Panel, Left	1 ea.

YOUR "ONE-STOP SOURCE" FOR AMERICA'S BASEBALL & SPORTS TURF SURFACES & SUPPLIES!



1. Slide 2-3/8" Brace Bands on upright poles, (3 ea. per fence panel) and place the upright poles in the holes.
2. Place 1-3/8" Brace Bands on fence panel tube.
3. Bolt bottom fence panel to upright post. (do not tighten) Be sure fence material is to the inside and bolts are facing away from the playing field.
4. Bolt Kennel Clamps to fence panel
5. Now install top fence pane.
6. Continue until all remaining panels are installed. Now tighten all bolts.
7. Now pour concrete around posts.



YOUR "ONE-STOP SOURCE" FOR AMERICA'S BASEBALL & SPORTS TURF SURFACES & SUPPLIES!

PARTAC PEAT CORPORATION
KELSEY PARK, GREAT MEADOWS, NEW JERSEY 07838

800-247-BEAM (2326) • (908) 637-4191 • FAX (908) 637-8421
www.BEAMCLAY.com • sales@partac.com